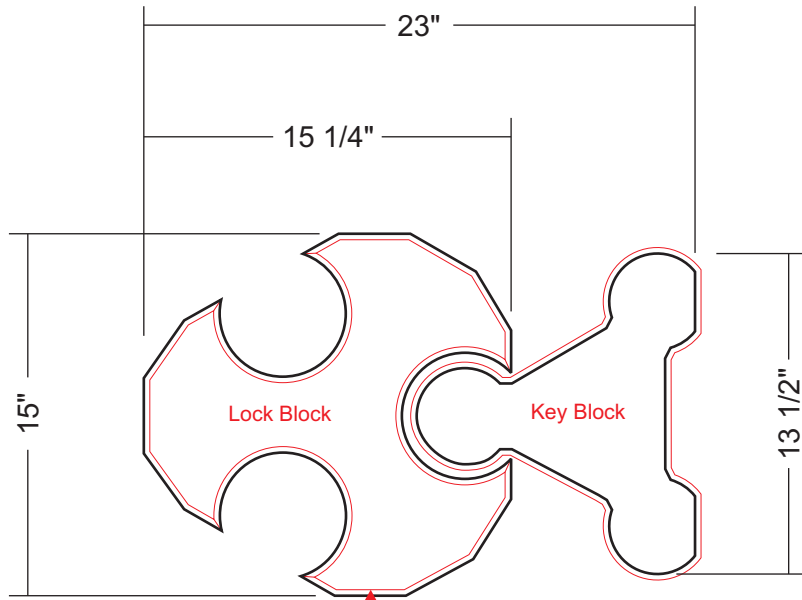


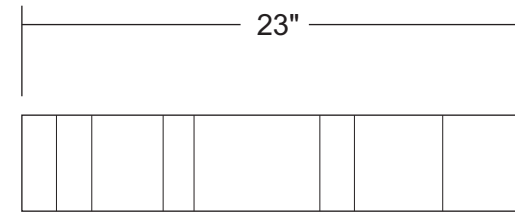
Tri-Lock Block Product Data Sheet



Line represents the top to bottom taper.
Friction fit is at Interference points between lock & key blocks
Bottom to top taper provides hydrostatic pressure relief.



3D View



Side Detail

Class	Height Inches	Approx. Weight lb/sf	Compress Strength Psi	Area Covered sf	Approx Weight Blk. 16 Pair	Open Area	Sq. Ft. Per Pallet
4010	4"	32 lb/sf.	Min. 4,000	1.54	50	20%	73.92
4015	6"	45 lb/sf.	Min. 4,000	1.54	70	20%	55.44
4110	4"	35 lb/sf.	Min. 4,000	2.00	70	20%	80.00

Client

Comments:

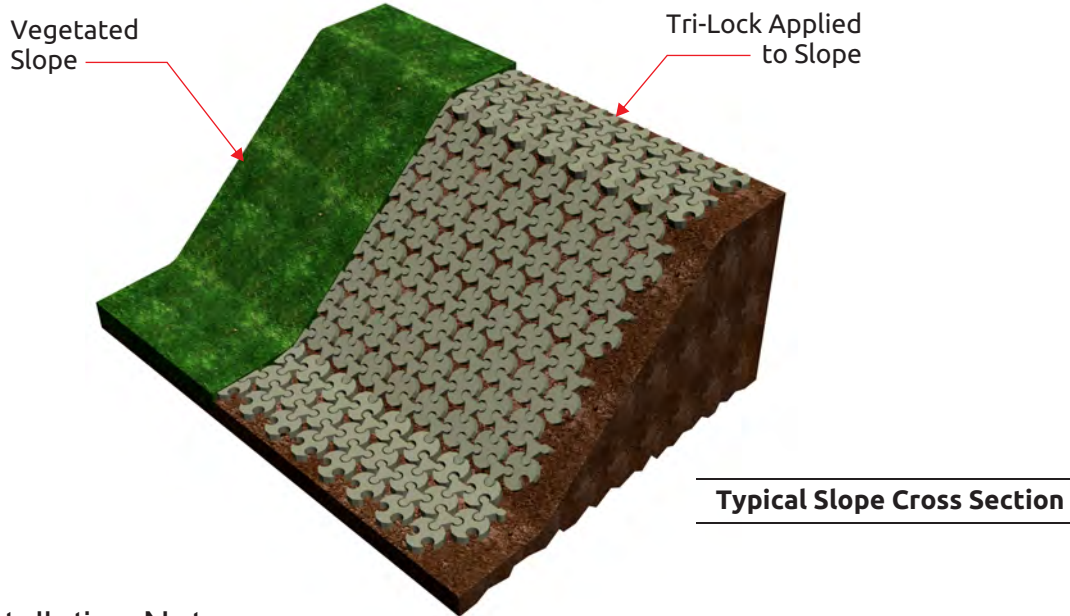


Find more information @ www.trilockblock.com

Midwest Construction Products
17370 Alico Center Rd.
Ft. Myers, FL 33967
Tel: (800) 532-2381



Tri-Lock Block System Specifications



Installation Notes:

The Slope must be stable independent of the erosion control system and filled slope shall be compacted to not less than 90% density.

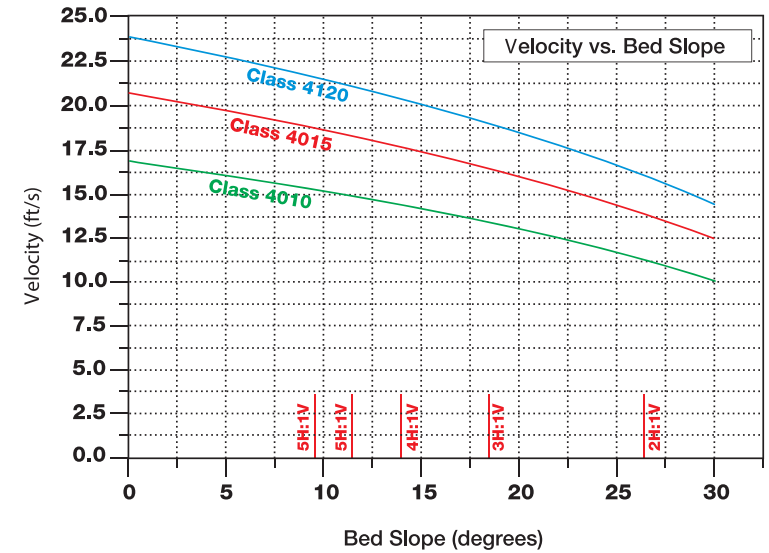
Before placing either the concrete block system or the underlying filter fabric, the slope shall be inspected to insure that it is free from obstructions, such as tree roots projecting stones or other foreign matter. Voids or soft areas should be filled with suitable material and well compacted. Although some variation in contour will be permitted, no sudden changes in level can be accepted. The maximum difference in level between any cuts will be 1.5" hand dress where necessary.

The entire perimeter of the cellular concrete block erosion control system shall be turned into, and buried beneath the adjacent ground level to a depth of not less than three (3) feet, or as shown on the drawings. Any junction with other structures shall be made as noted on drawings, but shall always provide a permanent soil tight joint to prevent the migration of soil between the structures. Grouting if necessary.

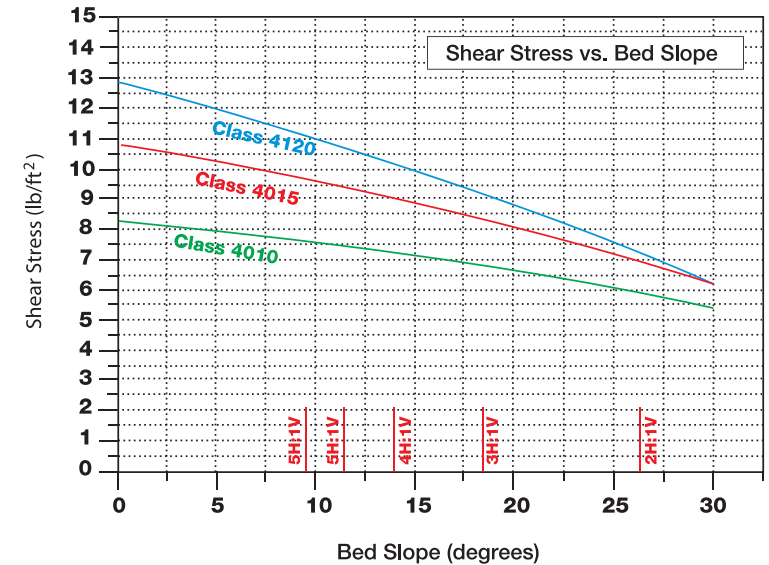
Penetrations through the erosion control system may be made by omitting sufficient blocks to provide space for the penetration. It will be necessary to provide extra filter fabric in the form of a tightly fitting flange around the pipe or device so that it may be overlaid with the erosion control system filter fabric. (Minimum overlap 18".) Any voids around the penetration should be filled with grout and floated smooth.

Dress the entire revetment with topsoil. Apply fertilizer and seed with native grass as approved by the engineer. If the drawings do not indicate that revegetation is required, then dress with ~ crushed rock as approved by the engineer.

TRI-LOCK REVETMENT Hydraulic Stability Curves



TRI-LOCK REVETMENT Hydraulic Stability Curves



Client	Comments:
Tri-Lock Interlocking Concrete Matrix	Find more information @ www.trilockblock.com

Midwest Construction Products
 17370 Alico Center Rd.
 Ft. Myers, FL 33967
Tel: (800) 532-2381

